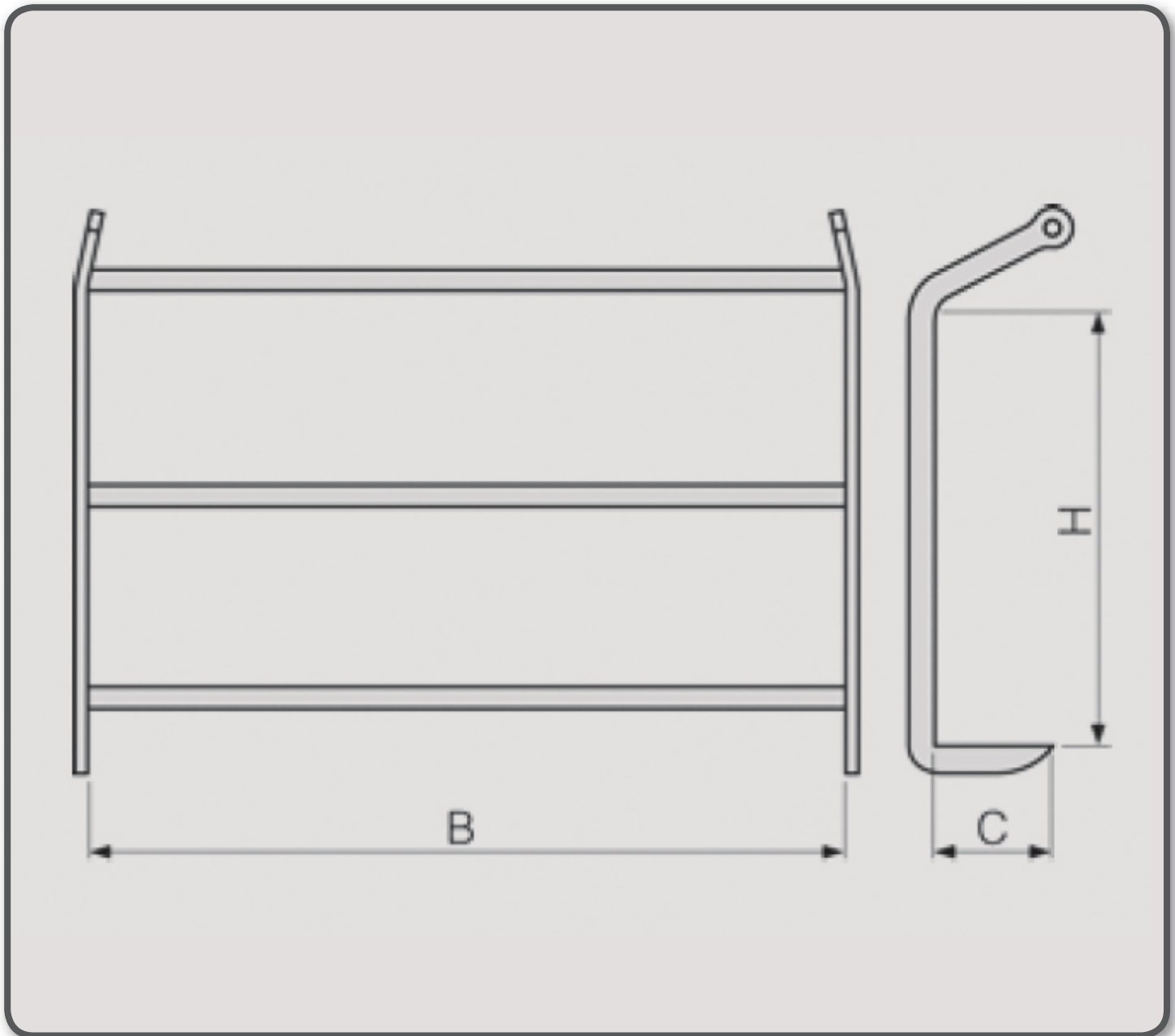


Brackets for lifting and transport of sheet metal packs horizontally



Lifting beam for packs

Steel structure, anti-rust coating and two enamel hands, supplied as standard with free-to-grill clamps for tie fasteners, on request higher flow rates and different sizes

MODEL	CAPACITY COUPLE	H	C	B	WEIGHT COUPLE
	KG	(mm)	(mm)	(mm)	KG
SPL-2	2500	200	180	1000	15
SPL-4	4000	400	180	1000	21
SPL-6	6300	500	180	1000	27
SPL-10	10000	600	180	1250	51

